

**SOLLEVATORI IDRAULICI  
A CARRELLO**

HYDRAULIC TROLLEY JACKS  
CRICS ROULEURS HYDRAULIQUES  
HYDRAULISCHE RANGIERHEBER

Made in Italy 

**TOP  
LINE**



ART. 3010



ART. 3000



### TRACCIATO TECNICO COSTRUTTIVO

- Design completamente innovativo.
- Punti presa super ribassati.
- Manico ergonomico.
- Supporto piattello a base ampia.
- Piattello in gomma.
- Ruote in nylon (Art. 3000).
- Dotato di ruote in poliuretano con doppi rulli basculanti anteriori (Art. 3010).
- Dotato di comando di discesa a pedale (Art. 3010).
- Dotato di comando di discesa manuale (Art. 3000).

### TECHNICAL AND STRUCTURAL LAY-OUT

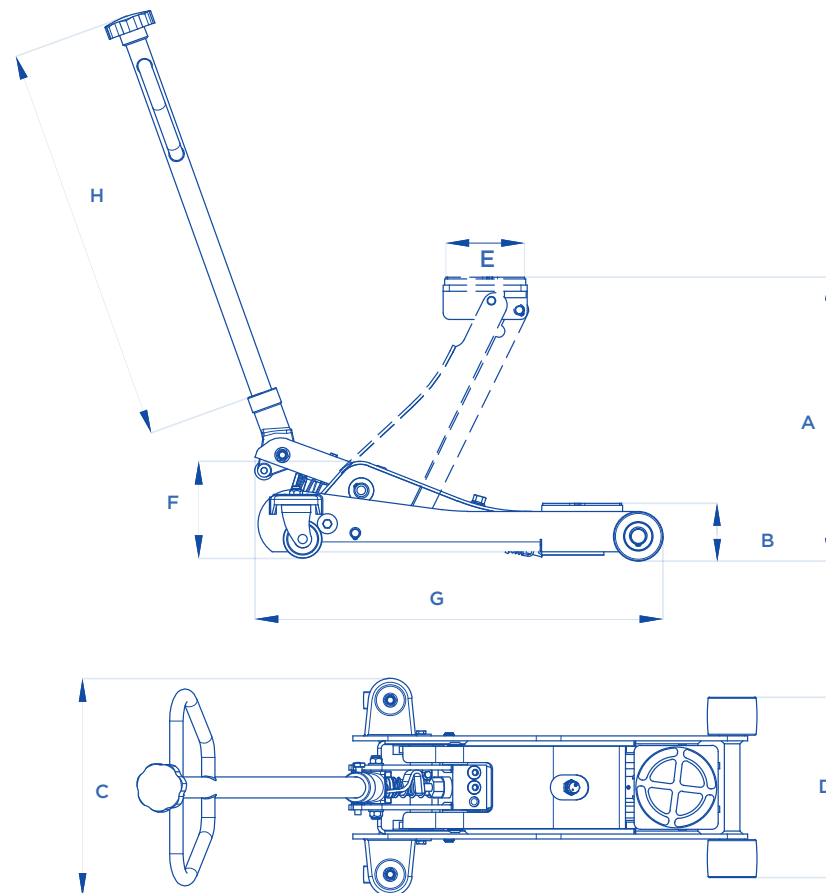
- Completely innovative design.
- Very low profile.
- Ergonomic handle.
- Support holder with wide base.
- Rubber covered support.
- Nylon wheels (Art. 3000).
- Equipped with double frontal balancing rolls and rear turning wheels in polyurethane (Art. 3010).
- Foot descent-control (Art. 3010).
- Hand descent-control (Art. 3000).

### RELEVÉ TECHNIQUE

- Innovation du design.
- Points de prise surbaissés
- Manche ergonomique.
- Support plateau à base large.
- Plateau caoutchouc.
- Roues en nylon (Art. 3000).
- Avec roues avant en polyuréthane à double rouleaux à bascule (Art. 3010).
- Avec commande de descente à pied (Art. 3010).
- Avec commande de descente manuelle (Art. 3000).

### TECHNISCHE UND KONSTRUKTIVE ANGABEN

- Völlig innovatives Design.
- Super abgeflachte Aufnahmepunkte.
- Ergonomische Zugstang.
- Tellerstütz mit weiter Grundlage.
- Gummiteller.
- Nylonräder (Art. 3000).
- Mit polyurethan Rädern, von denen kippen doppelten Vorderrollen (Art. 3010).
- Mit Fußhebel Abstiegkontrolle (Art. 3010).
- Mit manueller Abstiegkontrolle (Art. 3000).



| ART.        |  | A mm | B mm | C mm | D mm | E mm | F mm | G mm | H mm | KG |
|-------------|---------------------------------------------------------------------------------------|------|------|------|------|------|------|------|------|----|
| <b>3000</b> | 2000 kg                                                                               | 480  | 95   | 350  | 290  | 130  | 200  | 660  | 810  | 39 |
| <b>3010</b> | 2000 Kg                                                                               | 710  | 95   | 480  | 485  | 130  | 210  | 1000 | 780  | 67 |



ART. 3020



ART. 3030



## TRACCIATO TECNICO COSTRUTTIVO

- Design completamente innovativo.
- Punti presa super ribassati.
- Manico ergonomico.
- Supporto piatto a base ampia.
- Dotati di pedale di avvicinamento.
- Dotati di comando di discesa manuale.
- Piattello in gomma (Art. 3020).
- Piattello in acciaio (Art. 3030).
- Ruote in nylon (Art. 3020 - 3030).

## TECHNICAL AND STRUCTURAL LAY-OUT

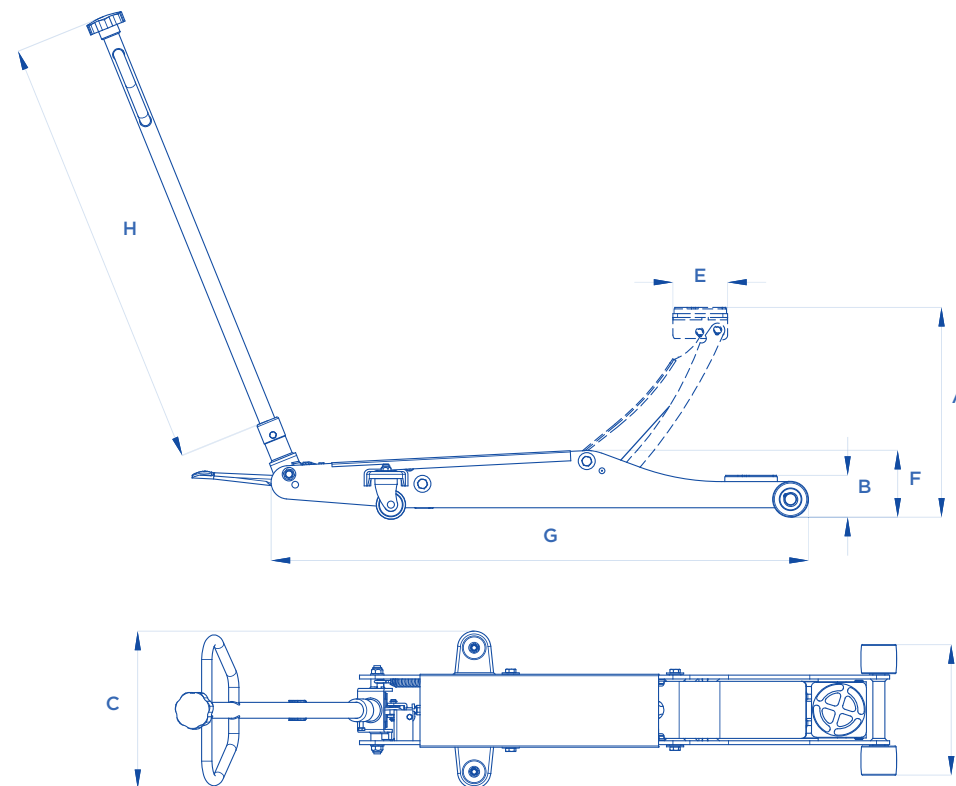
- Completely innovative design.
- Very low profile.
- Ergonomic handle.
- Support holder with wide base.
- Equipped with foot-approaching control.
- Hand descent-control.
- Rubber covered support (Art. 3020).
- Stainless steel support (Art. 3030).
- Nylon wheels (Art. 3020 - 3030).

## RELEVÉ TECHNIQUE

- Innovation du design.
- Points de prise surbaissés.
- Manche ergonomique.
- Support plateau à base large.
- Avec pédale d'approche.
- Avec commande de descente manuelle.
- Plateau caoutchouc (Art. 3020).
- Plateau acier (Art. 3030).
- Roues en nylon (Art. 3020 - 3030).

## TECHNISCHE UND KONSTRUKTIVE ANGABEN

- Völlig innovatives Design.
- Super abgeflachte Aufnahmepunkte.
- Ergonomische Zugstang.
- Tellerstütz mit weiter Grundlage.
- Anbewegung Fußhebel.
- Mit manueller Abstiegskontrolle.
- Gummiteller (Art. 3020).
- Stahlteller (Art. 3030).
- Nylonräder (Art. 3020 - 3030).



| ART.        |  | A  mm | B  mm | C  mm | D  mm | E  mm | F  mm | G  mm | H  mm |  KG |
|-------------|---------------------------------------------------------------------------------------|--------------------------------------------------------------------------------------------|--------------------------------------------------------------------------------------------|--------------------------------------------------------------------------------------------|--------------------------------------------------------------------------------------------|--------------------------------------------------------------------------------------------|--------------------------------------------------------------------------------------------|--------------------------------------------------------------------------------------------|--------------------------------------------------------------------------------------------|------------------------------------------------------------------------------------------|
| <b>3020</b> | 3000 kg                                                                               | 505                                                                                        | 90                                                                                         | 290                                                                                        | 275                                                                                        | 130                                                                                        | 145                                                                                        | 1260                                                                                       | 915                                                                                        | 52                                                                                       |
| <b>3030</b> | 6000 Kg                                                                               | 555                                                                                        | 130                                                                                        | 370                                                                                        | 290                                                                                        | 130                                                                                        | 185                                                                                        | 1600                                                                                       | 915                                                                                        | 80                                                                                       |

**TOP  
LINE**



ART. 3100IP

## TRACCIATO TECNICO COSTRUTTIVO

- Sollevatore oleopneumatico a carrello.
- Indicato per il sollevamento di autovetture, SUV, veicoli commerciali e industriali.
- Design completamente innovativo.
- Punto presa super ribassato.
- Manico ergonomico.
- Supporto piattello a base ampia.
- Piattello in acciaio.
- Ruote in nylon.

## TECHNICAL AND STRUCTURAL LAY-OUT

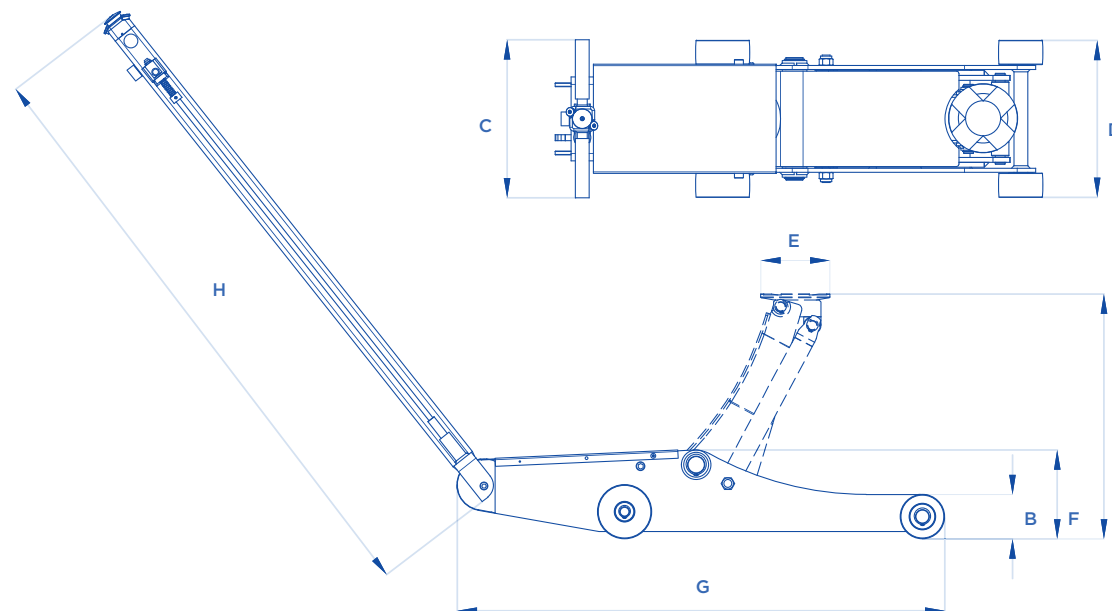
- Air-hydraulic trolley jack.
- Suggested to lift cars, SUV, commercial vehicles and medium lorries.
- Completely innovative design.
- Very low profile.
- Ergonomic handle.
- Support holder with wide base.
- Stainless steel support.
- Nylon wheels.

## RELEVÉ TECHNIQUE

- Cric rouleur oléopneumatique.
- Conseillé pour le levage de voitures, tout-terrains et poids moyens.
- Innovation du design.
- Point de prise surbaissé.
- Manche ergonomique.
- Support plateau à base large.
- Plateau acier.
- Roues en nylon.

## TECHNISCHE UND KONSTRUKTIVE ANGABEN

- Hydropneumatischer Rangierheber.
- Bezeichnet für SUV, Fahrzeuge, Nutzfahrzeuge und medium LKW.
- Völlig innovatives Design.
- Super abgeflachte Aufnahmepunkte.
- Ergonomische Zugstang.
- Tellerstütz mit weiter Grundlage.
- Stahlteiler.
- Nylonräder.



| ART.   |  |  | A mm | B mm | C mm | D mm | E mm | F mm | G mm | H mm | KG  |
|--------|---------------------------------------------------------------------------------------|---------------------------------------------------------------------------------------|------|------|------|------|------|------|------|------|-----|
| 3100IP | 5000 kg                                                                               | 10 bar                                                                                | 500  | 90   | 320  | 320  | 140  | 180  | 970  | 1230 | 100 |

 Alimentazione pneumatica • Pneumatic feeding • Pression d'alimentation • Benötigter Luftdruck



ART. 112/B

**SERIE CORTA**  
SHORT SERIES  
SERIE COURTE  
KURZE AUSFÜHRUNG

**CLASSIC  
LINE**

ART. 112

**OPTIONAL**

**RUOTE IN NYLON**

Nylon wheels  
Roues en nylon  
Nylonräder



**OPTIONAL**

**TAMPONE IN GOMMA**

Rubber-covered support  
Plateau caoutchouc  
Gummiteller

**ART. 392/A**

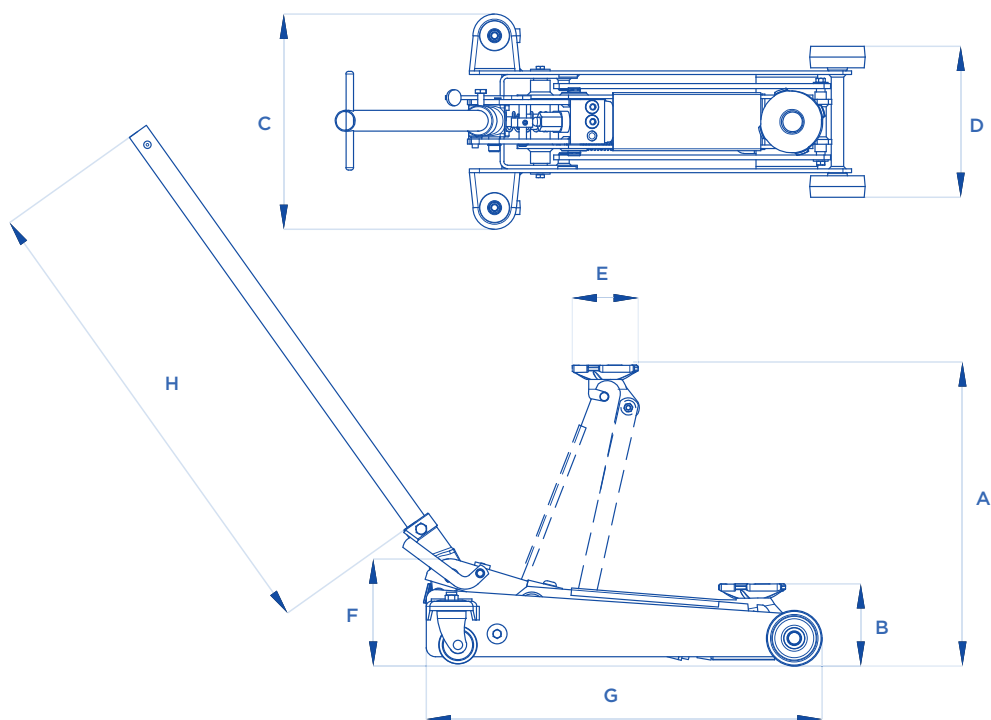
✓ ART. 112 • 112/A











**ART. 392/B**

✓ ART. 112/B • 112/C • 112/D







| ART.         |  |  A mm |  B mm |  C mm |  D mm |  E mm |  F mm |  G mm |  H mm |  KG |
|--------------|-------------------------------------------------------------------------------------|------------------------------------------------------------------------------------------|------------------------------------------------------------------------------------------|------------------------------------------------------------------------------------------|------------------------------------------------------------------------------------------|------------------------------------------------------------------------------------------|------------------------------------------------------------------------------------------|-------------------------------------------------------------------------------------------|--------------------------------------------------------------------------------------------|------------------------------------------------------------------------------------------|
| <b>112</b>   | 1200 kg                                                                             | 525                                                                                      | 130                                                                                      | 345                                                                                      | 250                                                                                      | 100                                                                                      | 200                                                                                      | 650                                                                                       | 780                                                                                        | 35                                                                                       |
| <b>112/A</b> | 1500 kg                                                                             | 525                                                                                      | 135                                                                                      | 345                                                                                      | 290                                                                                      | 100                                                                                      | 200                                                                                      | 650                                                                                       | 780                                                                                        | 36                                                                                       |
| <b>112/B</b> | 2500 kg                                                                             | 610                                                                                      | 145                                                                                      | 375                                                                                      | 310                                                                                      | 130                                                                                      | 210                                                                                      | 760                                                                                       | 780                                                                                        | 51                                                                                       |
| <b>112/C</b> | 1200 kg                                                                             | 750                                                                                      | 145                                                                                      | 370                                                                                      | 300                                                                                      | 130                                                                                      | 210                                                                                      | 950                                                                                       | 780                                                                                        | 59                                                                                       |
| <b>112/D</b> | 1500 kg                                                                             | 800                                                                                      | 145                                                                                      | 370                                                                                      | 300                                                                                      | 130                                                                                      | 210                                                                                      | 950                                                                                       | 780                                                                                        | 60                                                                                       |

 Comando di discesa a pedale • Foot descent-control • Commande de descente à pédale • Fußpumpe Kontrolle

**ART. 114****ART. 118****SERIE MEDIA**

MIDDLE CAPACITY SERIES  
SERIE MOYENNE PORTEE  
MITTLERE AUSFÜHRUNG

**CLASSIC  
LINE****OPTIONAL****RUOTE IN NYLON**

Nylon wheels  
Roues en nylon  
Nylonräder

✓ ART. 113 • 114 • 115 • 116

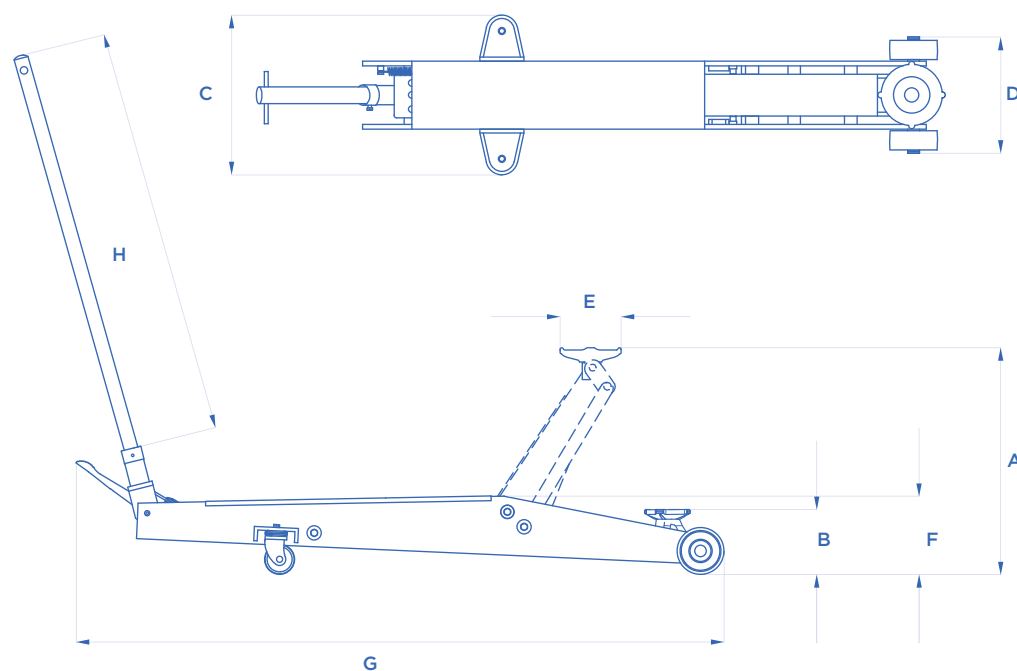
**OPTIONAL****TAMPONE IN GOMMA**

Rubber-covered support  
Plateau caoutchouc  
Gummiteller


**ART. 392/C**

✓ ART. 113 • 114 • 115 • 116





| ART.         |  | A  mm | B  mm | C  mm | D  mm | E  mm | F  mm | G  mm | H  mm |  KG |
|--------------|------------------------------------------------------------------------------------|-----------------------------------------------------------------------------------------|-----------------------------------------------------------------------------------------|-----------------------------------------------------------------------------------------|-----------------------------------------------------------------------------------------|-----------------------------------------------------------------------------------------|-----------------------------------------------------------------------------------------|------------------------------------------------------------------------------------------|-------------------------------------------------------------------------------------------|-----------------------------------------------------------------------------------------|
| <b>113</b>   | 1500 kg                                                                            | 520                                                                                     | 130                                                                                     | 315                                                                                     | 260                                                                                     | 130                                                                                     | 175                                                                                     | 1190                                                                                     | 920                                                                                       | 45                                                                                      |
| <b>114</b>   | 2000 kg                                                                            | 520                                                                                     | 130                                                                                     | 325                                                                                     | 270                                                                                     | 130                                                                                     | 175                                                                                     | 1260                                                                                     | 920                                                                                       | 52                                                                                      |
| <b>115</b>   | 2500 kg                                                                            | 520                                                                                     | 140                                                                                     | 325                                                                                     | 270                                                                                     | 130                                                                                     | 185                                                                                     | 1280                                                                                     | 920                                                                                       | 54                                                                                      |
| <b>116</b>   | 3000 kg                                                                            | 520                                                                                     | 140                                                                                     | 325                                                                                     | 270                                                                                     | 130                                                                                     | 185                                                                                     | 1280                                                                                     | 920                                                                                       | 56                                                                                      |
| <b>117</b>   | 4000 kg                                                                            | 540                                                                                     | 145                                                                                     | 360                                                                                     | 290                                                                                     | 130                                                                                     | 185                                                                                     | 1480                                                                                     | 920                                                                                       | 78                                                                                      |
| <b>118</b>   | 5000 kg                                                                            | 550                                                                                     | 155                                                                                     | 360                                                                                     | 290                                                                                     | 130                                                                                     | 185                                                                                     | 1530                                                                                     | 920                                                                                       | 80                                                                                      |
| <b>118/A</b> | 7000 kg                                                                            | 550                                                                                     | 160                                                                                     | 385                                                                                     | 305                                                                                     | 130                                                                                     | 195                                                                                     | 1630                                                                                     | 920                                                                                       | 90                                                                                      |

 Dotati di pedale di avvicinamento • Equipped with foot-approaching control • Avec pédale d'approche • Anbewegung Fußhebe  
Comando di discesa a pedale • Foot descent-control • Commande de descente à pédale • Fußpumpe Kontrolle



ART. 119/A

ART. 120/A

## SERIE GRANDE ALZATA

GREAT LIFT SERIES  
SERIE GRANDE LEVEE  
LANGHUB AUSFÜHRUNG

CLASSIC  
LINE

### OPTIONAL

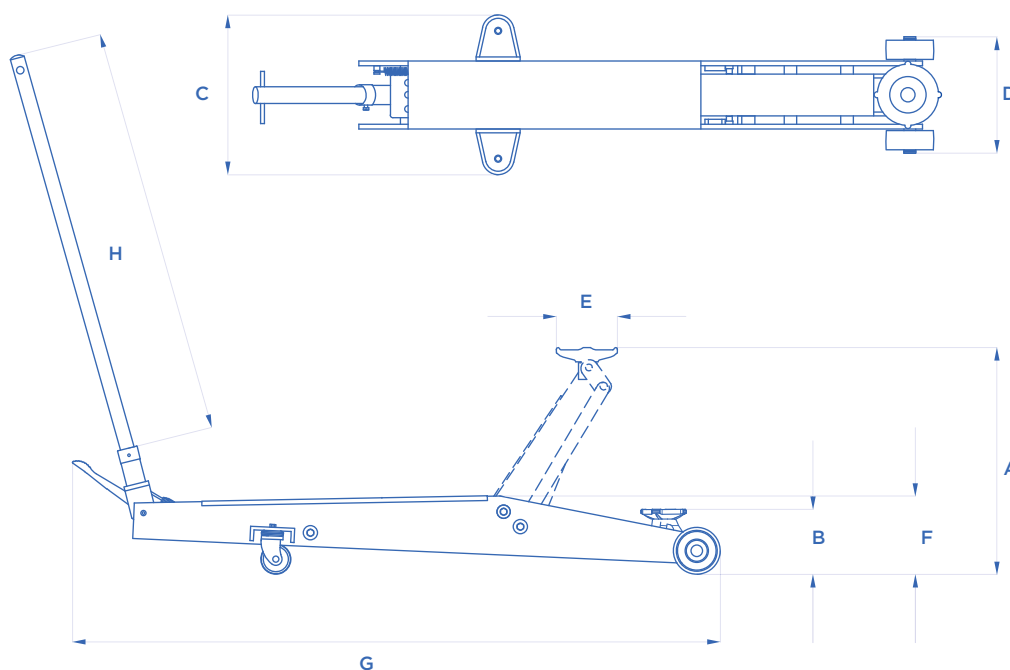
#### TAMPONE IN GOMMA




Rubber-covered support  
Plateau caoutchouc  
Gummiteller

#### ART. 392/D

✓ ART. 119 • 119/A • 120





| ART.         |  | A  mm | B  mm | C  mm | D  mm | E  mm | F  mm | G  mm | H  mm |  KG |
|--------------|-------------------------------------------------------------------------------------|------------------------------------------------------------------------------------------|------------------------------------------------------------------------------------------|------------------------------------------------------------------------------------------|------------------------------------------------------------------------------------------|------------------------------------------------------------------------------------------|------------------------------------------------------------------------------------------|-------------------------------------------------------------------------------------------|--------------------------------------------------------------------------------------------|------------------------------------------------------------------------------------------|
| <b>119</b>   | 1500 kg                                                                             | 850                                                                                      | 130                                                                                      | 340                                                                                      | 440                                                                                      | 130                                                                                      | 195                                                                                      | 1670                                                                                      | 920                                                                                        | 78                                                                                       |
| <b>119/A</b> | 3000 kg                                                                             | 875                                                                                      | 135                                                                                      | 440                                                                                      | 440                                                                                      | 130                                                                                      | 205                                                                                      | 1750                                                                                      | 920                                                                                        | 91                                                                                       |
| <b>120</b>   | 3000 kg                                                                             | 1030                                                                                     | 150                                                                                      | 670                                                                                      | 680                                                                                      | 130                                                                                      | 225                                                                                      | 1790                                                                                      | 900                                                                                        | 140                                                                                      |
| <b>120/A</b> | 5000 kg                                                                             | 1030                                                                                     | 150                                                                                      | 670                                                                                      | 680                                                                                      | 130                                                                                      | 225                                                                                      | 1790                                                                                      | 900                                                                                        | 170                                                                                      |

 Dotati di pedale di avvicinamento • Equipped with foot-approaching control • Avec pédale d'approche • Anbewegung Fußhebe  
Comando di discesa a pedale • Foot descent-control • Commande de descente à pédale • Fußpumpe Kontrolle

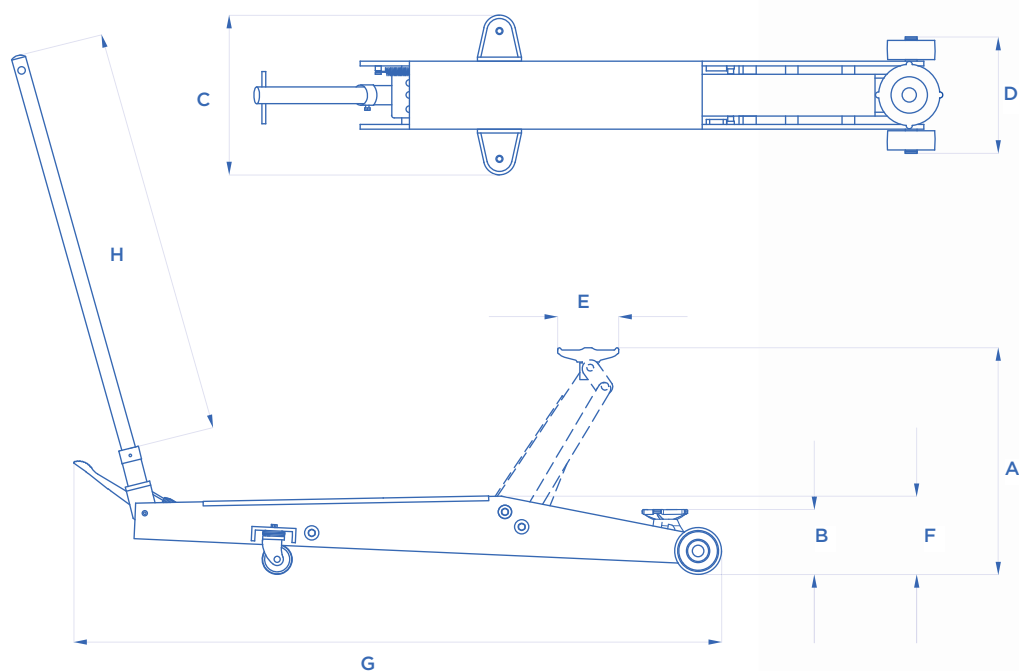
**SERIE GRANDE PORTATA**  
GREAT CAPACITY SERIES  
SERIE GRANDE PORTEE  
GROBE TRAGKRAFT AUSFÜHRUNG

**CLASSIC  
LINE**



**ART. 122**

**ART. 123/A**



| ART.         |  |  A mm |  B mm |  C mm |  D mm |  E mm |  F mm |  G mm |  H mm |  KG |
|--------------|-------------------------------------------------------------------------------------|------------------------------------------------------------------------------------------|------------------------------------------------------------------------------------------|------------------------------------------------------------------------------------------|------------------------------------------------------------------------------------------|------------------------------------------------------------------------------------------|------------------------------------------------------------------------------------------|-------------------------------------------------------------------------------------------|--------------------------------------------------------------------------------------------|------------------------------------------------------------------------------------------|
| <b>122</b>   | 10000 kg                                                                            | 630                                                                                      | 185                                                                                      | 445                                                                                      | 360                                                                                      | 155                                                                                      | 265                                                                                      | 1880                                                                                      | 900                                                                                        | 150                                                                                      |
| <b>122/A</b> | 12000 kg                                                                            | 635                                                                                      | 190                                                                                      | 445                                                                                      | 390                                                                                      | 155                                                                                      | 270                                                                                      | 1890                                                                                      | 900                                                                                        | 154                                                                                      |
| <b>123</b>   | 15000 kg                                                                            | 655                                                                                      | 210                                                                                      | 450                                                                                      | 395                                                                                      | 155                                                                                      | 280                                                                                      | 2030                                                                                      | 900                                                                                        | 176                                                                                      |
| <b>123/A</b> | 20000 kg                                                                            | 655                                                                                      | 210                                                                                      | 450                                                                                      | 395                                                                                      | 155                                                                                      | 280                                                                                      | 2030                                                                                      | 900                                                                                        | 203                                                                                      |
| <b>124</b>   | 15000 kg                                                                            | 655                                                                                      | 210                                                                                      | 450                                                                                      | 395                                                                                      | 155                                                                                      | 275                                                                                      | 2740                                                                                      | 900                                                                                        | 200                                                                                      |

 Dotati di pedale di avvicinamento • Equipped with foot-approaching control • Avec pédale d'approche • Anbewegung Fußhebe  
Comando di discesa a pedale • Foot descent-control • Commande de descente à pédale • Fußpumpe Kontrolle



ART. K/012



ART. 253



ART. 254

**SERIE CORTA**

SHORT SERIES

SERIE COURTE

KURZE AUSFÜHRUNG

**CLASSIC  
LINE**

**OPTIONAL**

**RUOTE IN NYLON**

Nylon wheels  
Roues en nylon  
Nylonräder



**OPTIONAL**

**TAMPONE IN GOMMA**

Rubber-covered support  
Plateau caoutchouc  
Gummiteller

**ART. 392/A**

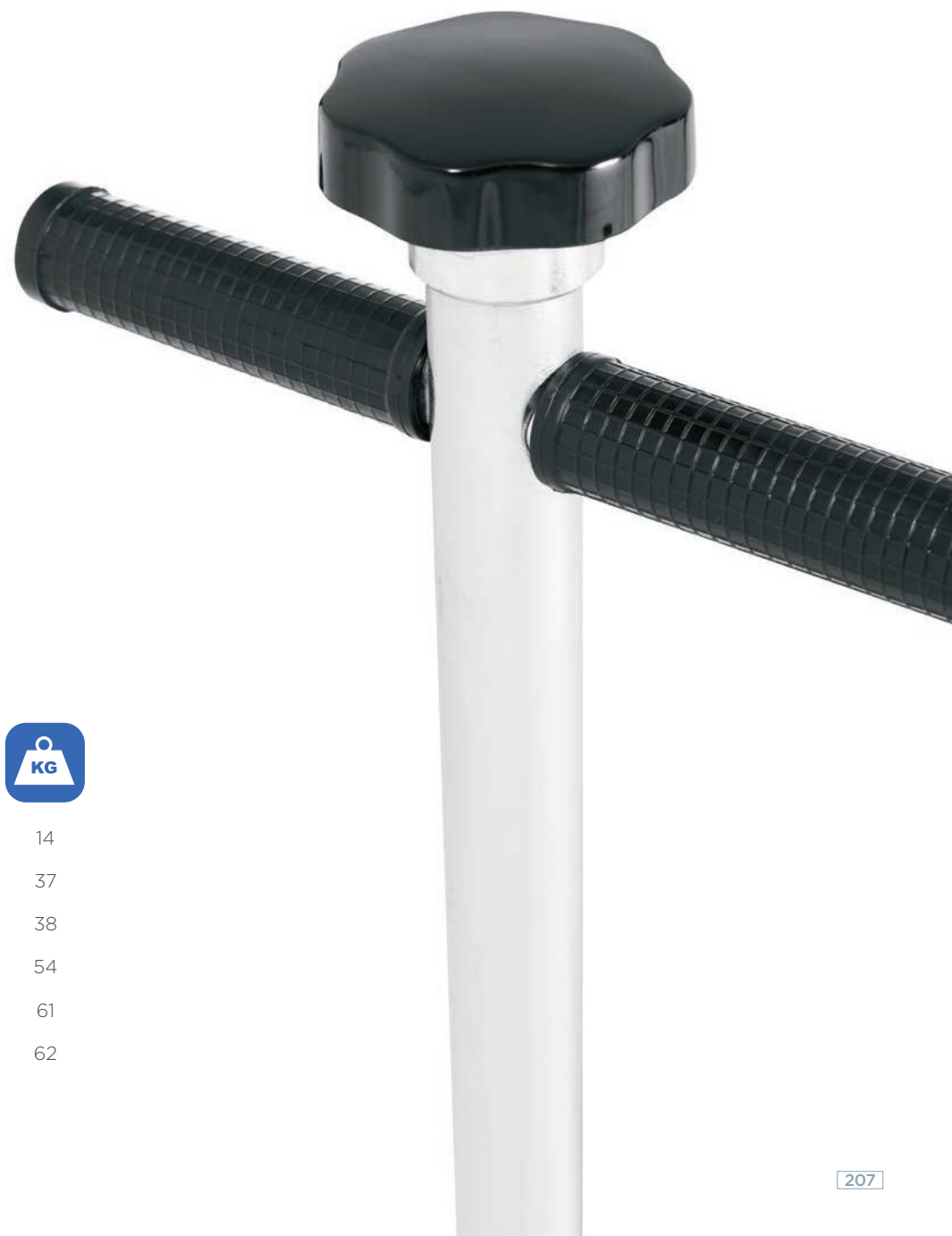
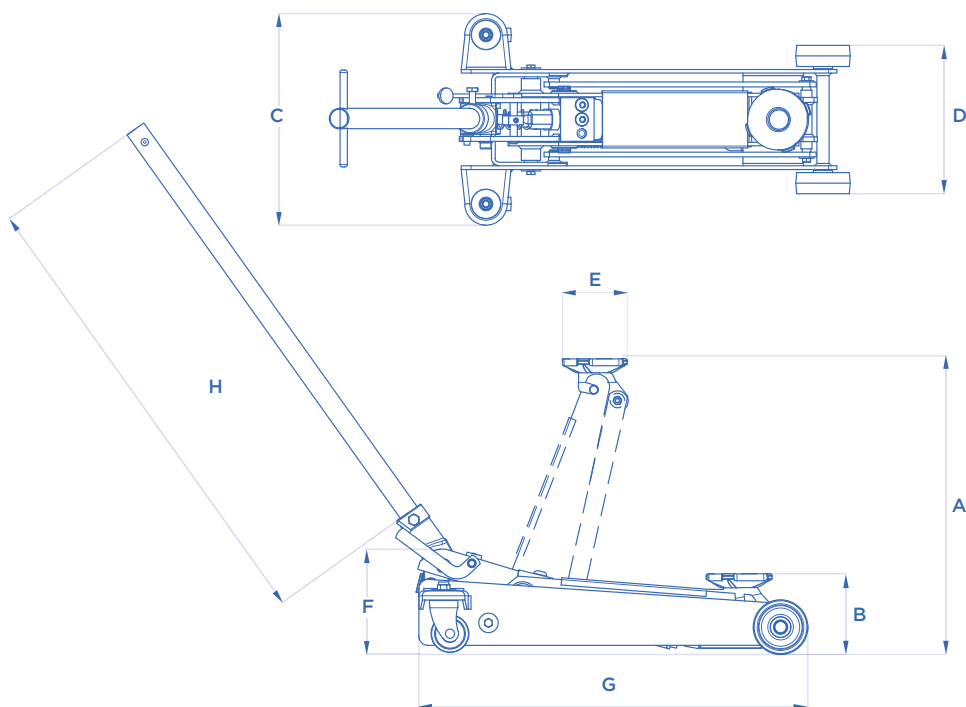
✓ ART. 252 • 253

**ART. 392/B**

✓ ART. 254 • 255 • 256







| ART.       |  | A mm | B mm | C mm | D mm | E mm | F mm | G mm | H mm | KG |
|------------|-------------------------------------------------------------------------------------|------|------|------|------|------|------|------|------|----|
| K/012      | 800 kg                                                                              | 415  | 95   | 290  | 85   | 170  | 120  | 585  | 500  | 14 |
| <b>252</b> | 1500 kg                                                                             | 525  | 130  | 365  | 290  | 100  | 200  | 700  | 820  | 37 |
| <b>253</b> | 2000 kg                                                                             | 525  | 130  | 390  | 290  | 100  | 200  | 700  | 820  | 38 |
| <b>254</b> | 3000 kg                                                                             | 610  | 140  | 395  | 310  | 130  | 225  | 760  | 820  | 54 |
| <b>255</b> | 1300 kg                                                                             | 800  | 140  | 390  | 300  | 130  | 220  | 980  | 820  | 61 |
| <b>256</b> | 1600 kg                                                                             | 800  | 140  | 390  | 300  | 130  | 220  | 980  | 820  | 62 |

**ART. 263****ART. 259****SERIE MEDIA  
E GRANDE ALZATA**

MIDDLE CAPACITY AND GREAT LIFT SERIES  
 SÉRIE MOYENNE PORTEE ET GRANDE LÉVÉE  
 MITTLERE UND LANGHUB AUSFÜHRUNG

**CLASSIC  
LINE****OPTIONAL****RUOTE IN NYLON**

Nylon wheels  
 Roues en nylon  
 Nylonräder

✓ ART. 257 • 259 • 260 • 261

**OPTIONAL****TAMPONE IN GOMMA**

Rubber-covered support  
 Plateau caoutchouc  
 Gummiteller

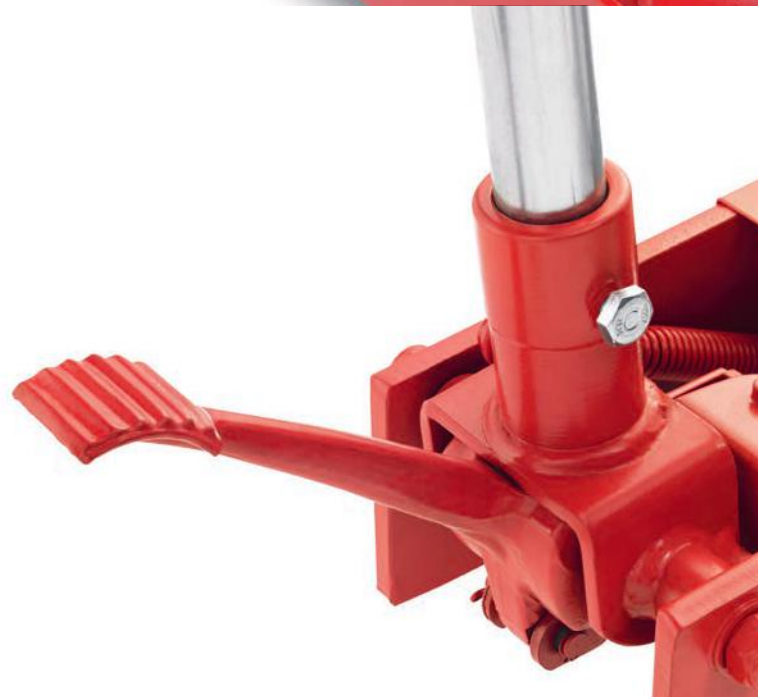
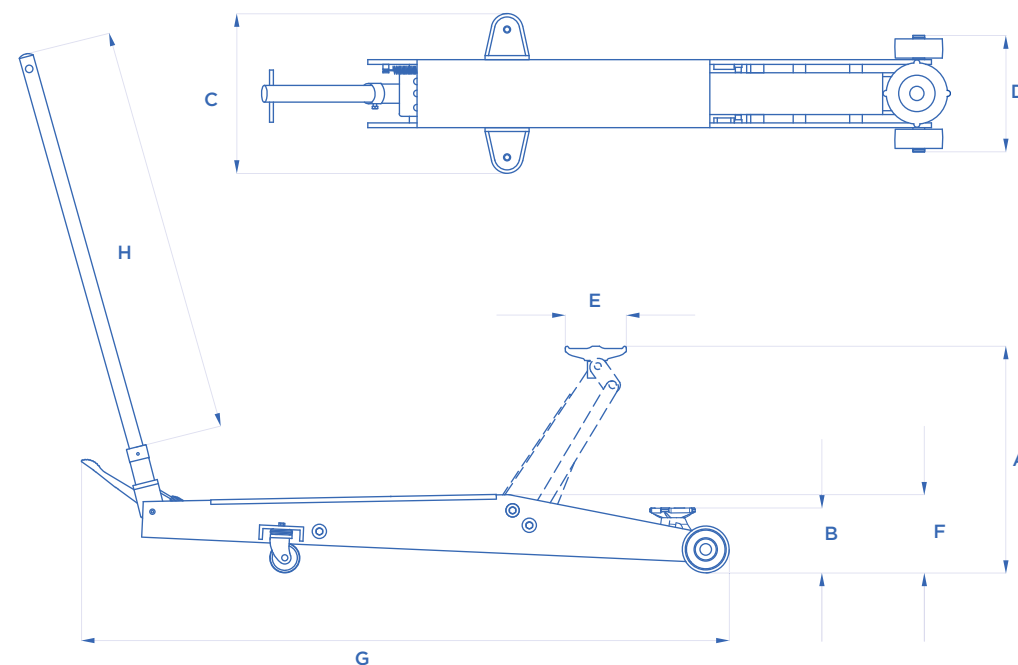
**ART. 392/C**











✓ ART. 257 • 259 • 260 • 261

**ART. 392/D**

✓ ART. 258





| ART.       |  | A  mm | B  mm | C  mm | D  mm | E  mm | F  mm | G  mm | H  mm |  KG |
|------------|-------------------------------------------------------------------------------------|------------------------------------------------------------------------------------------|------------------------------------------------------------------------------------------|------------------------------------------------------------------------------------------|------------------------------------------------------------------------------------------|------------------------------------------------------------------------------------------|------------------------------------------------------------------------------------------|------------------------------------------------------------------------------------------|------------------------------------------------------------------------------------------|----------------------------------------------------------------------------------------|
| <b>257</b> | 1500 kg                                                                             | 520                                                                                      | 125                                                                                      | 335                                                                                      | 260                                                                                      | 130                                                                                      | 175                                                                                      | 1190                                                                                     | 920                                                                                      | 47                                                                                     |
| <b>258</b> | 1500 kg                                                                             | 900                                                                                      | 125                                                                                      | 340                                                                                      | 270                                                                                      | 130                                                                                      | 195                                                                                      | 1650                                                                                     | 920                                                                                      | 80                                                                                     |
| <b>259</b> | 2000 kg                                                                             | 520                                                                                      | 130                                                                                      | 335                                                                                      | 270                                                                                      | 130                                                                                      | 175                                                                                      | 1250                                                                                     | 920                                                                                      | 54                                                                                     |
| <b>260</b> | 2500 kg                                                                             | 520                                                                                      | 140                                                                                      | 335                                                                                      | 270                                                                                      | 130                                                                                      | 185                                                                                      | 1265                                                                                     | 920                                                                                      | 56                                                                                     |
| <b>261</b> | 3000 kg                                                                             | 520                                                                                      | 140                                                                                      | 335                                                                                      | 270                                                                                      | 130                                                                                      | 185                                                                                      | 1265                                                                                     | 920                                                                                      | 59                                                                                     |
| <b>262</b> | 4500 kg                                                                             | 540                                                                                      | 145                                                                                      | 370                                                                                      | 290                                                                                      | 130                                                                                      | 190                                                                                      | 1485                                                                                     | 920                                                                                      | 83                                                                                     |
| <b>263</b> | 6000 kg                                                                             | 550                                                                                      | 150                                                                                      | 360                                                                                      | 290                                                                                      | 130                                                                                      | 190                                                                                      | 1580                                                                                     | 920                                                                                      | 86                                                                                     |
| <b>264</b> | 8000 kg                                                                             | 560                                                                                      | 150                                                                                      | 385                                                                                      | 305                                                                                      | 130                                                                                      | 230                                                                                      | 1650                                                                                     | 920                                                                                      | 100                                                                                    |

 Dotati di pedale di avvicinamento • Equipped with foot-approaching control • Avec pédale d'approche • Anbewegung Fußhebe  
Comando di discesa manuale • Hand descent-control • Commande de descente manuelle • Manuelle Kontrolle

**SERIE GRANDE PORTATA**  
GREAT CAPACITY SERIES  
SERIE GRANDE PORTEE  
GROÙE TRAGKRAFT AUSFÜHRUNG

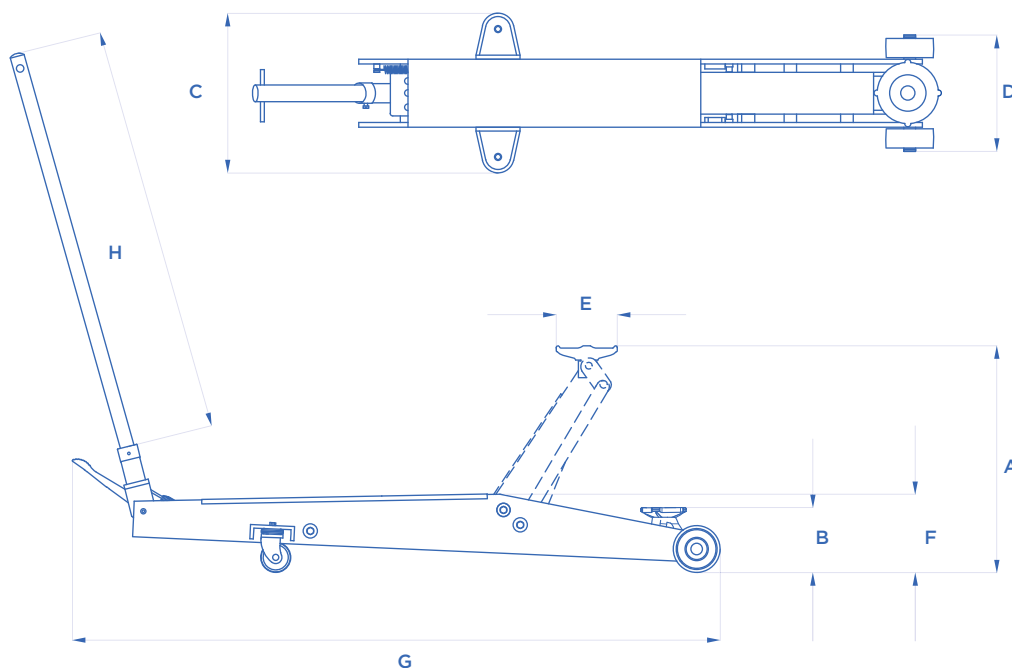
**CLASSIC  
LINE**



**ART. 265**



**ART. 267**



| ART.       |  | A  mm | B  mm | C  mm | D  mm | E  mm | F  mm | G  mm | H  mm |  KG |
|------------|-------------------------------------------------------------------------------------|------------------------------------------------------------------------------------------|------------------------------------------------------------------------------------------|------------------------------------------------------------------------------------------|------------------------------------------------------------------------------------------|------------------------------------------------------------------------------------------|------------------------------------------------------------------------------------------|-------------------------------------------------------------------------------------------|--------------------------------------------------------------------------------------------|------------------------------------------------------------------------------------------|
| <b>265</b> | 10000 kg                                                                            | 630                                                                                      | 185                                                                                      | 445                                                                                      | 360                                                                                      | 155                                                                                      | 265                                                                                      | 1880                                                                                      | 900                                                                                        | 148                                                                                      |
| <b>266</b> | 15000 kg                                                                            | 655                                                                                      | 210                                                                                      | 450                                                                                      | 395                                                                                      | 155                                                                                      | 280                                                                                      | 2020                                                                                      | 900                                                                                        | 175                                                                                      |
| <b>267</b> | 20000 kg                                                                            | 655                                                                                      | 210                                                                                      | 450                                                                                      | 395                                                                                      | 155                                                                                      | 285                                                                                      | 2020                                                                                      | 900                                                                                        | 200                                                                                      |

 Dotati di pedale di avvicinamento • Equipped with foot-approaching control • Avec pédale d'approche • Anbewegung Fußhebe  
 Comando di discesa manuale • Hand descent-control • Commande de descente manuelle • Manuelle Kontrolle



ART. 1120/E

ART. 1120/F

**SPECIAL  
LINE**

**OPTIONAL**

**TAMPONE IN GOMMA**

Rubber-covered support  
Plateau caoutchouc  
Gummiteller

**ART. 392/A**  
✓ ART. 1120/F

**ART. 392/B**  
✓ ART. 1120/E

**ART. 392/D**  
✓ ART. 1120/G

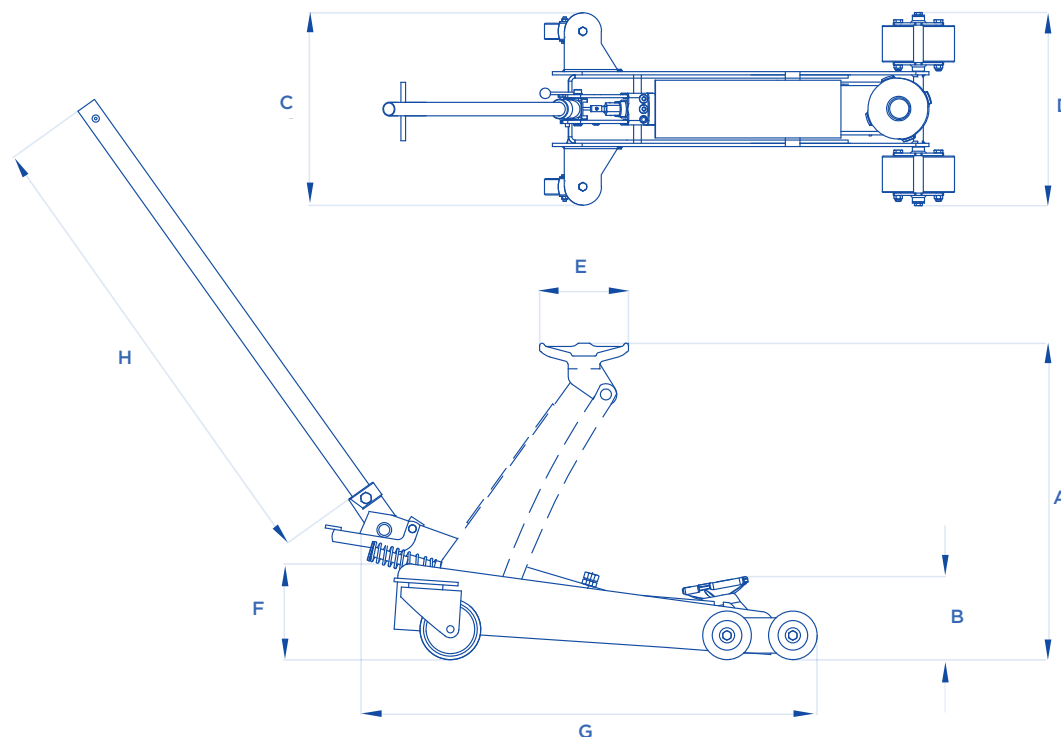


I Doppi rulli anteriori basculanti e le ruote posteriori girevoli in poliuretano, consentono di poter muovere i sollevatori anche sui grigliati e sono particolarmente indicati per interventi in fase di soccorsi stradali.

Thanks to the double frontal balancing rolls and to the rear turning wheels in polyurethane, these jacks can be moved also on floors with grates and they are suitable during breakdown services.

Grâce aux double rouleaux antérieurs basculants et aux roues pivotantes en polyuréthane on peut déplacer les crics sur des grilles et ils sont particulièrement indiqués pour les interventions pendant les secours routiers

Dank vorderer, kippbarer Doppelrollen und hinterer, drehbarer Räder aus Polyurethan, ist man in der Lage, die Rangierheber auch auf Gitterboden zu bewegen. Sie sind bestimmt geeignet während dem Schleppdienst.

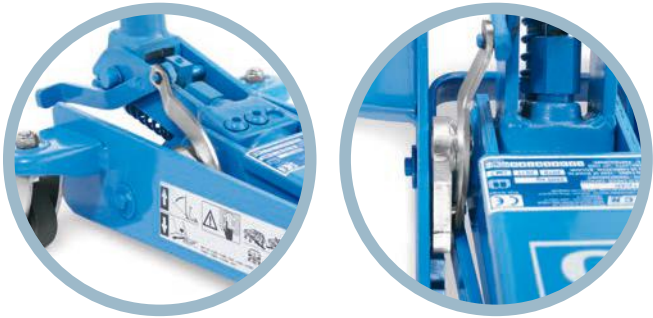
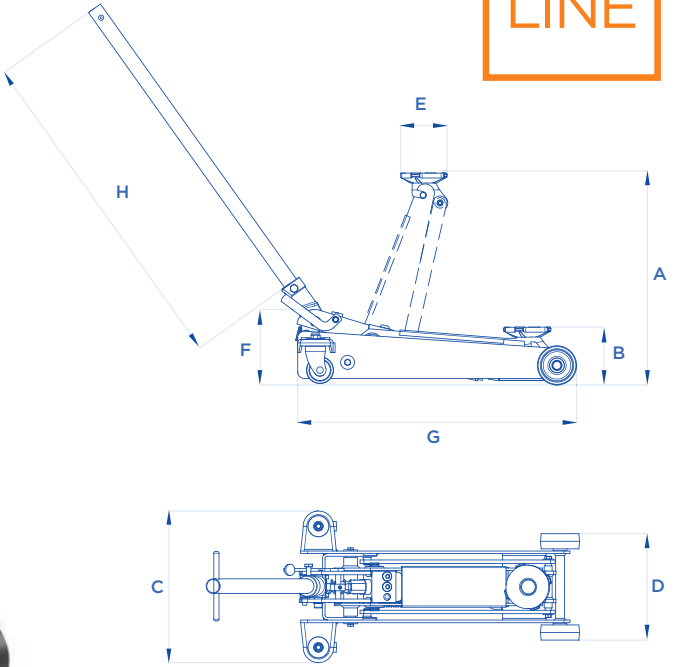


| ART.          |         | A mm | B mm | C mm | D mm | E mm | F mm | G mm | H mm | KG |
|---------------|---------|------|------|------|------|------|------|------|------|----|
| <b>1120/E</b> | 2000 kg | 760  | 130  | 480  | 480  | 130  | 200  | 1080 | 910  | 65 |
| <b>1120/F</b> | 2000 kg | 520  | 140  | 420  | 420  | 130  | 180  | 740  | 780  | 45 |
| <b>1120/G</b> | 1500 kg | 850  | 130  | 570  | 540  | 130  | 200  | 1750 | 920  | 85 |

**i** Comando di discesa a pedale • Foot descent-control • Commande de descente à pédale • Fußpumpe Kontrolle



**SPECIAL  
LINE**



Completo di sicurezze meccaniche, ruote in nylon e supporto in acciaio ricoperto in gomma.

Complete with mechanical safeties, nylon wheels and rubber covered steel support.

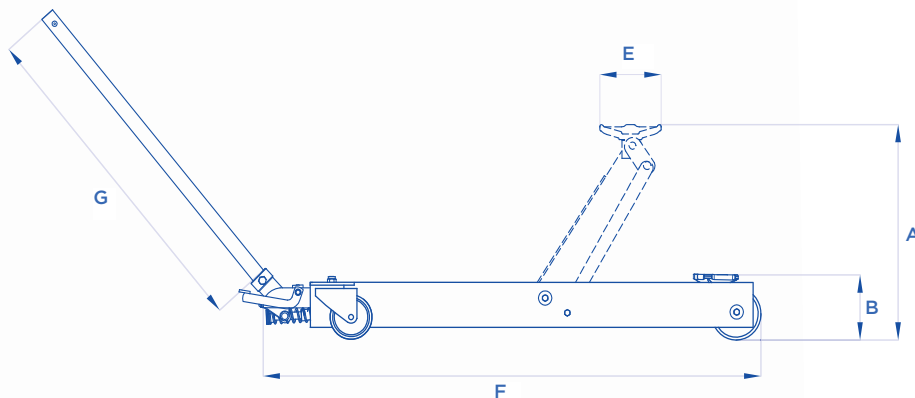
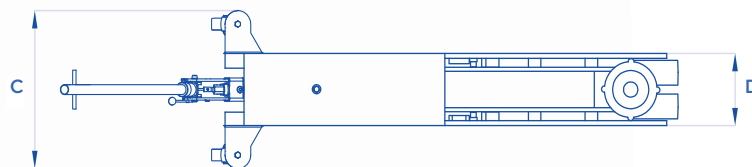
Complet avec sûretés mécaniques, roues en nylon et support en acier recouvert en caoutchouc.

Mit mechanischen Sicherheitseinrichtungen, Nylonrädern und einer gummibeschichteten Stahlaufnahme.

| ART.   |         | A mm | B mm | C mm | D mm | E mm | F mm | G mm | H mm | KG |
|--------|---------|------|------|------|------|------|------|------|------|----|
| 112/XR | 2000 kg | 525  | 120  | 350  | 290  | 130  | 215  | 650  | 780  | 35 |



**SPECIAL  
LINE**



**OPTIONAL**

**ART. 392/A  
TAMPONE IN GOMMA**

Rubber-covered support  
Plateau caoutchouc  
Gummiteller



**ART.**



**A** mm

**B** mm

**C** mm

**D** mm

**E** mm

**F** mm

**G** mm

**KG**

1130/XR

1500 kg

510

100

360

205

100

1320

780

50